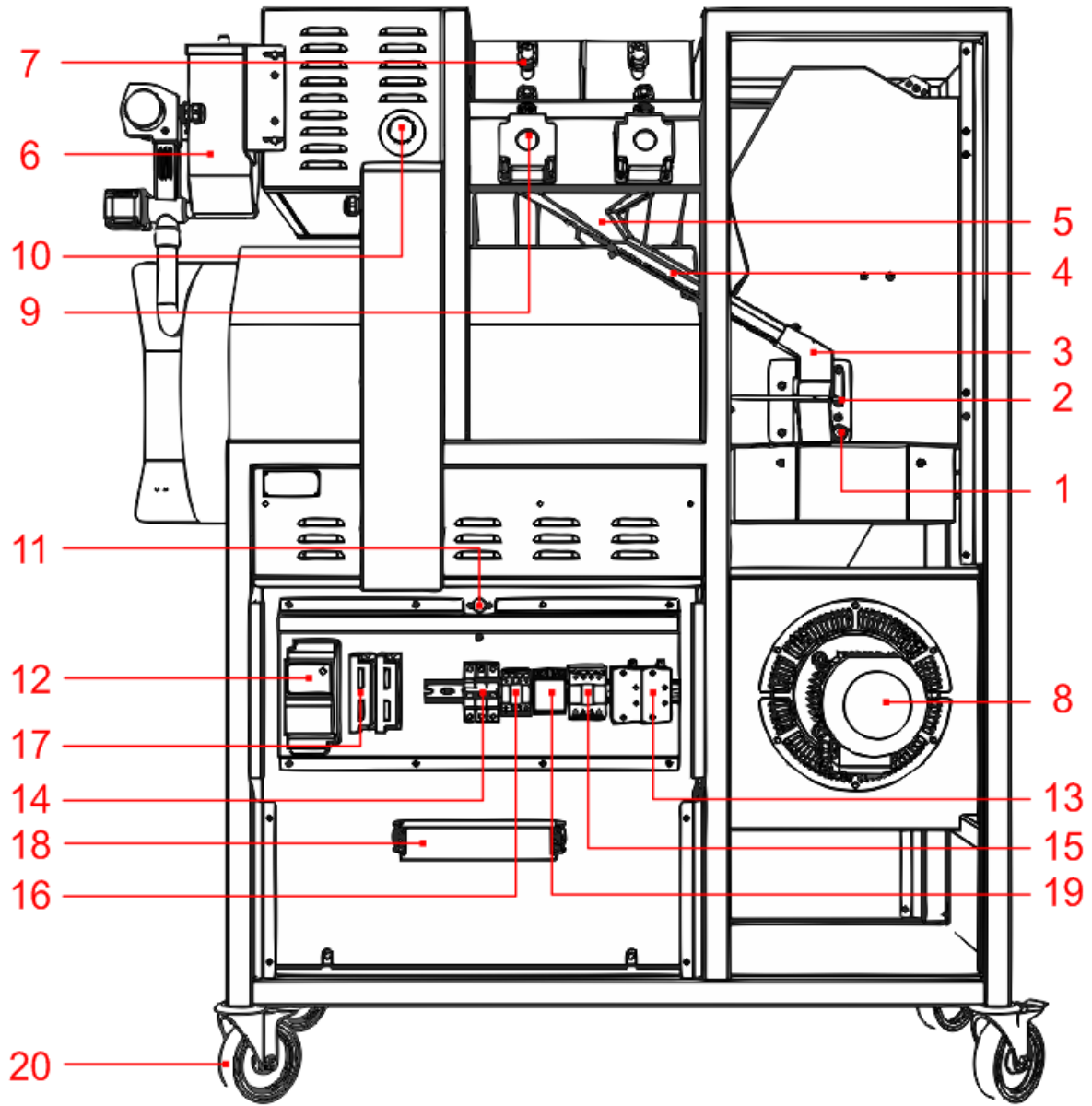
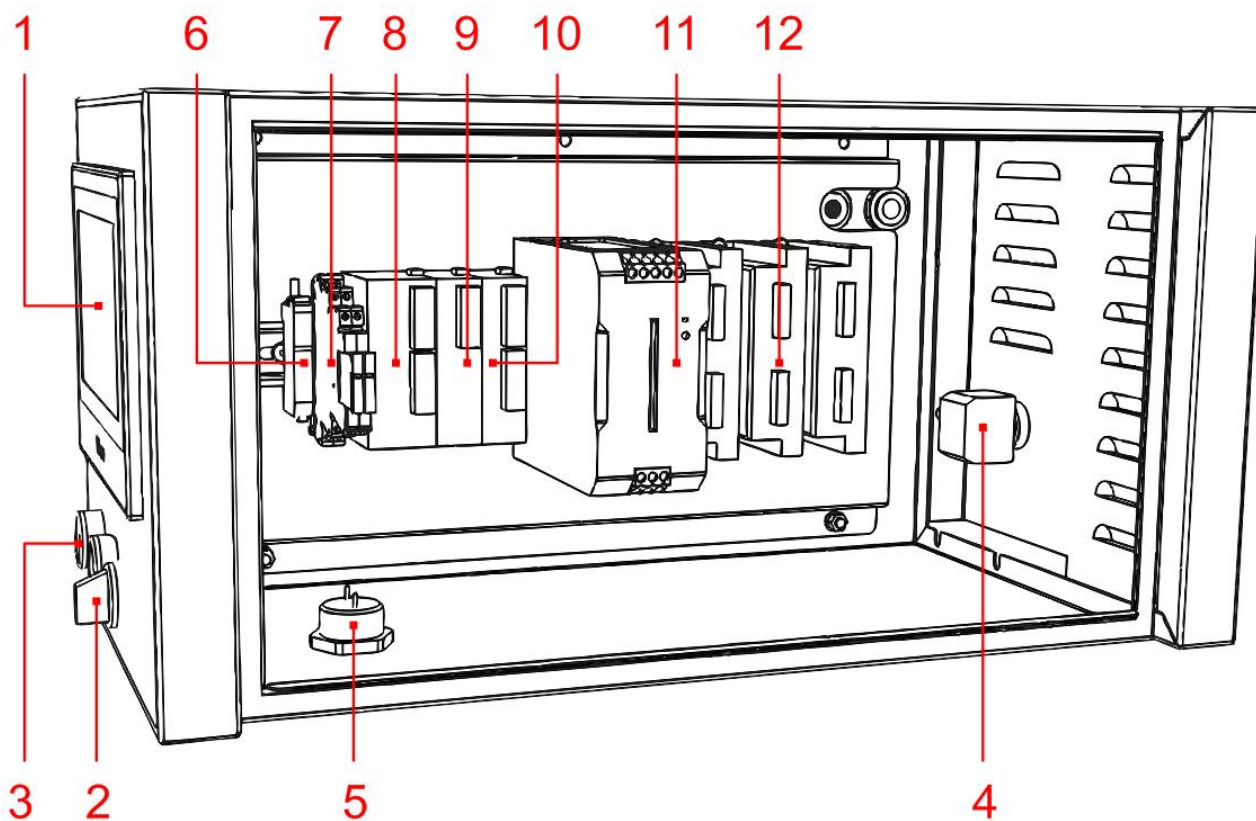


##	Part Number	Part Description	Model
1		Human machine interface	MT4414T
2		Selector switch	B100SL20K
		Contact block with led	BB
		Contact block	B1
3		Push button	B100DH
4		Door of heat chamber	
5		Photoelectric sensor	BR400-DDT-P
6		Adjustable latch	
7		Oil pump assembled	
8		CAUTION HOT nameplate	
9		Plate-bump assembled	

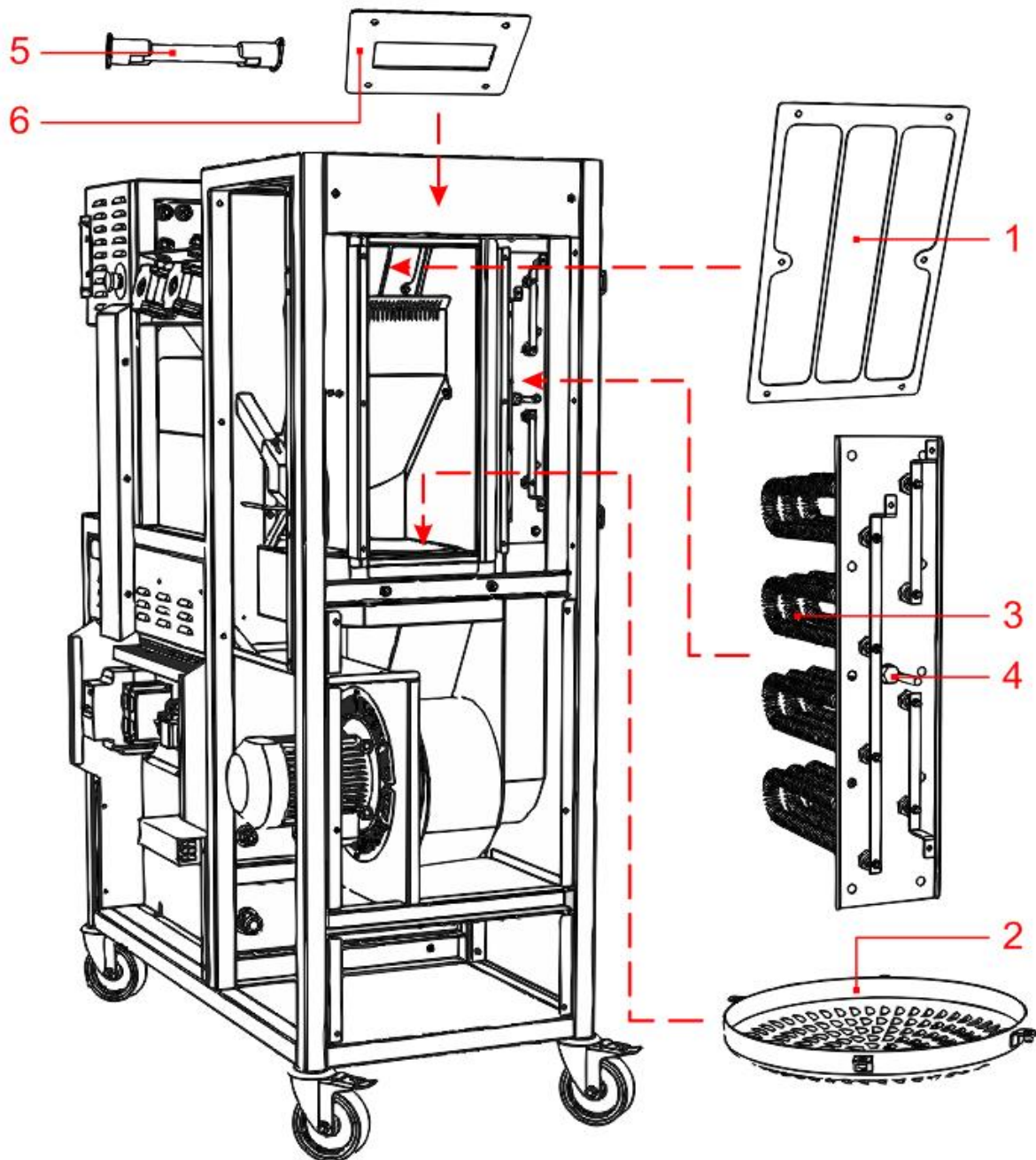


##	Part Number	Part Description	Model
1		Temperature sensor	ДТС124-PT100-A3.10/2
2		Heat-resistant sensor head	E32-D61
		Bracket for sensor head	
3		Corn delivery device	
4		Feed hopper for corn	
5		Tube for corn loading	
6		Corn dispenser assembled	
7		Photoelectric sensor	BR400-DDT-P
8		Motor with impeller assembled	
9		Stepping motor	FL86STH65-2808
10		Emergency stop button	B200E40
		STOP nameplate	BET60A
11		Round connector	C016 30G006 100 12
12		AC motor drive	VFD007EL21A
13		Solid state relay	G3PE-545B DC12-24
14		3-poles circuit breaker	S203-C32
15		Contactator	LC1D32M7
16		Contactator	LC1D09M7
17		Digital stepping driver	DM556
		Resistor	C2-23-2

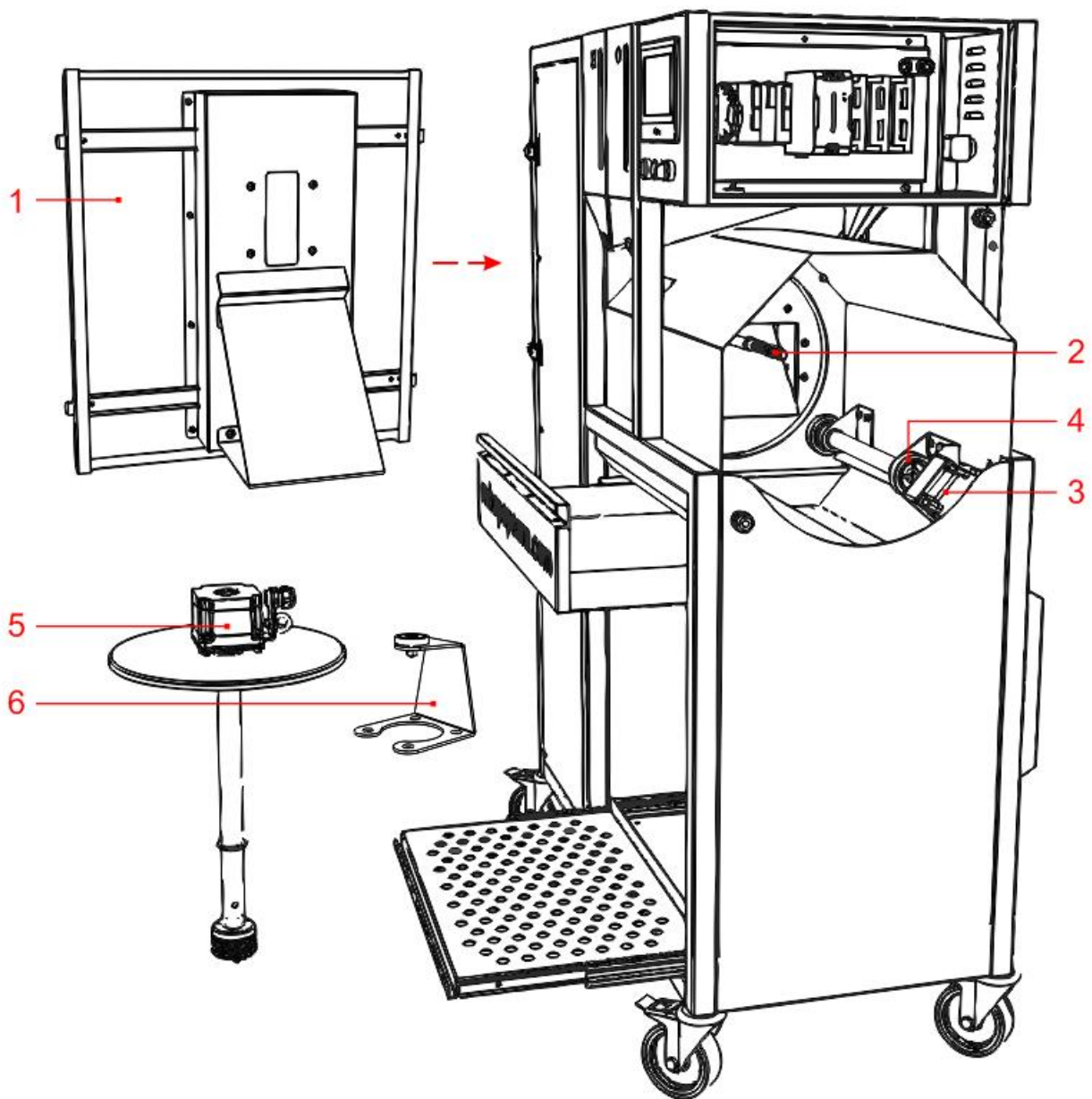
18	3-phase filters	30TDVST2
19	Temperature controller	TC4SP
	Din rail socket for Temperature controller	PS-11
	Cable plug	3P+E, 332P6
	Power cord 5m	ПВС 4x4 кв.мм
20	Swivel caster with lock brake	3300-PUR-125-F18



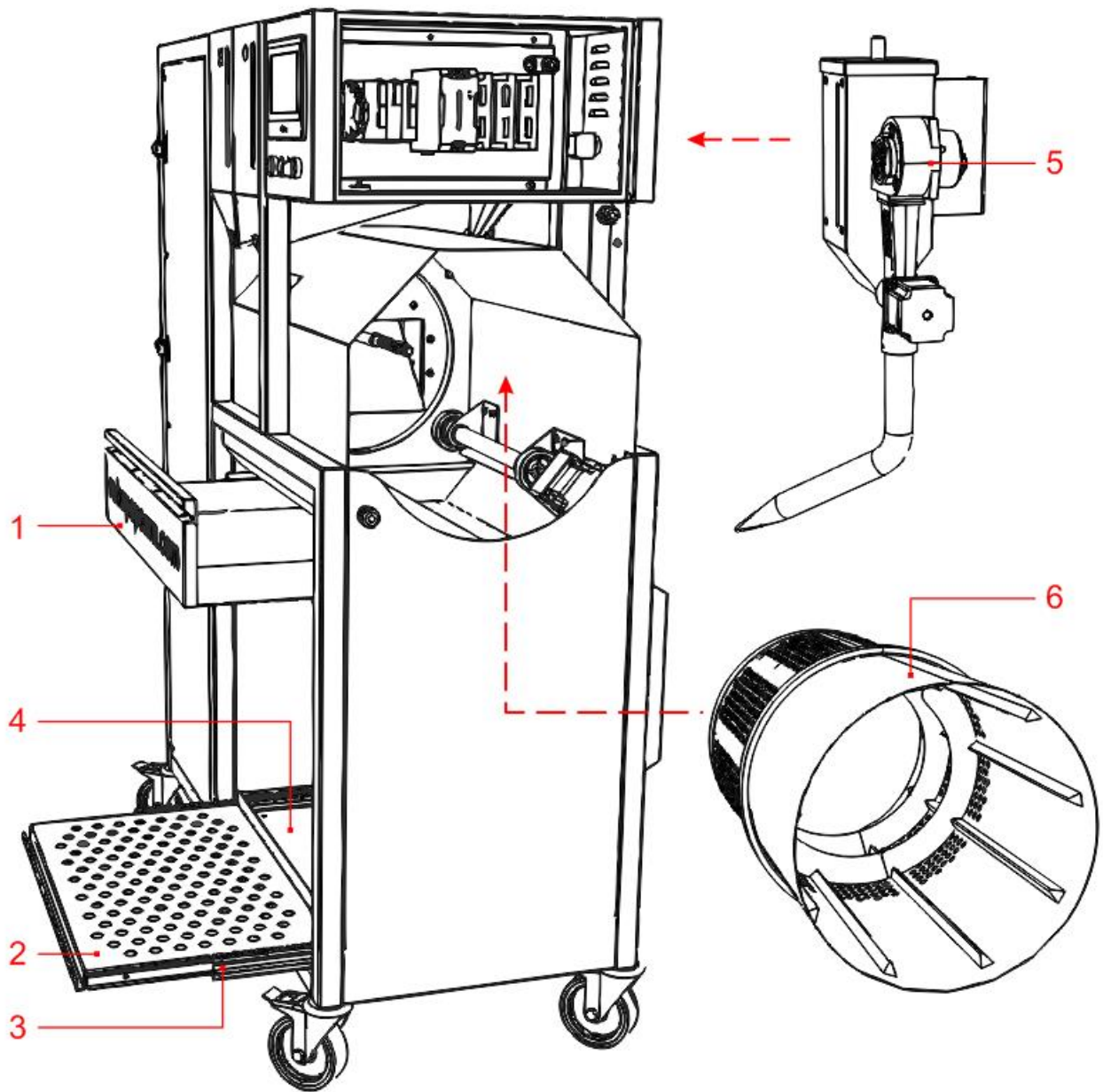
##	Part Number	Part Description	Model
1		Human machine interface	MT4414T
2		Selector knob switch	B100SL20K
		Contact block SWD	BB
		Contact block	B1
3		Push button	B100DH
4		Emergency stop button	B200E40
		STOP nameplate	BET60A
5		Buzzer	SC235B
6		Digital fiber amplifier	E3X-NA41 2M
7		Electromagnetic relay	G2RV-SL700 DC24
8		Controller	DVP12SA211T
9		Output point extension	DVP08SN11T
10		Temperature module	DVP04PT-S
11		Power supply	S8VK-C24024
12		Digital stepping driver	DM556
		Resistor	C2-23-2
		RS-485 cable for Human machine interface	
		RS-485 cable for AC motor drive	



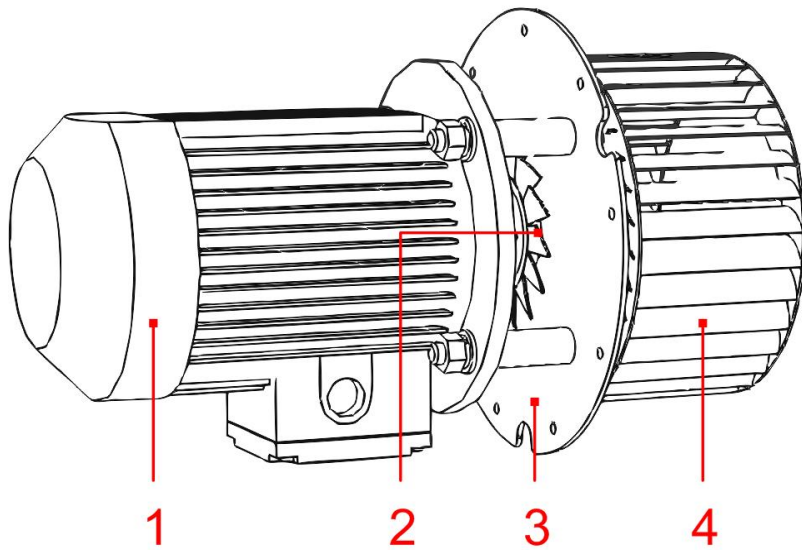
##	Part Number	Part Description	Model
1		Mesh assembled	
2		Bowl assembled	
3		Heat element	1GIK8BL33001
		Copper plate kit	
		Cable kit for heat elements	CNVAS
4		Temperature sensor	ДТПК-124-00.120/2
5		Halogen lamp	64684 ECO
		R7 aluminum lamp holder	
6		Protective glass for lamp assembled	
		Kit of heat-resistant wires for lamp	
		Food-grade grease	Molykote P-1900 FM



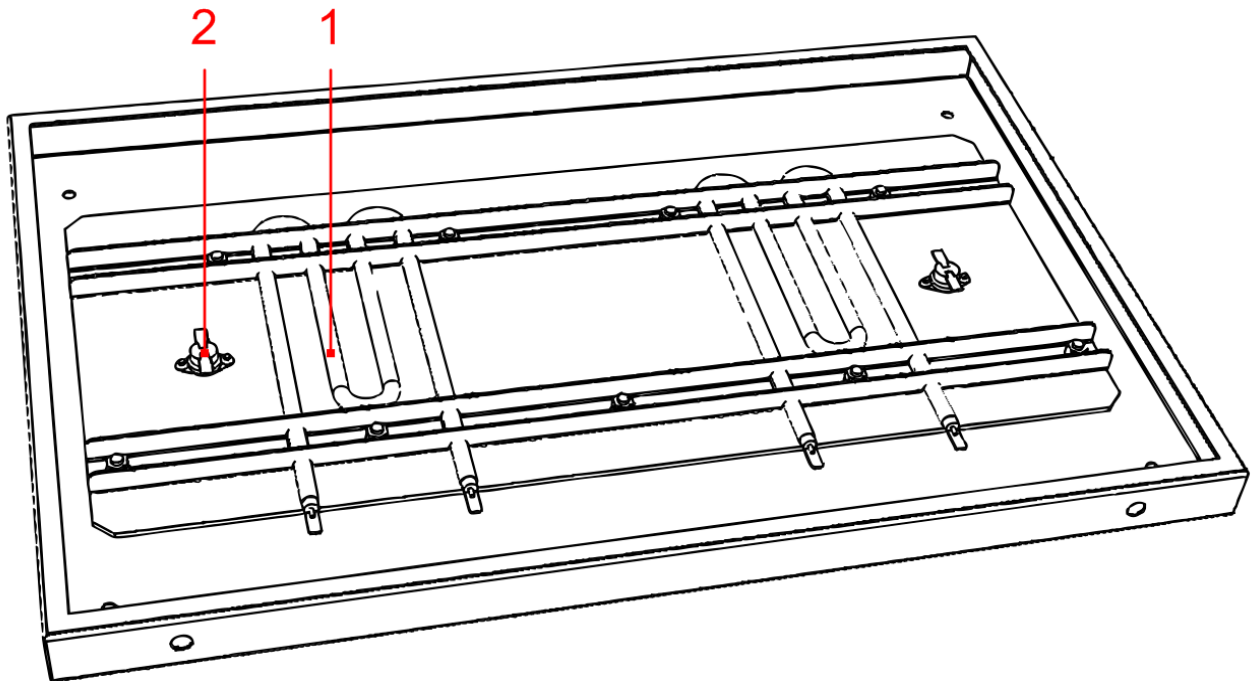
##	Part Number	Part Description	Model
1		Chamber door assembled	
		Chamber door glass packet	
		1,5m sealant for door	№14-12
		Heat resistant sealer	
2		Oil sprayer	
3		Stepping motor	FL86STH65-2808G5
		Coupling for sifter	
4		Roller for sifter assembled	
		Roller bearing	6101 ГОСТ 8338-75
5		<i>Oil pump assembled</i>	
		Stepping motor	FL86STH65-2808
		External rotor for oil pump	15122-329-010
		Internal rotor for oil pump	15123-329-010
		Round connector for cable	C016 30H006 110 10
		Reinforced hose	
		Hose clamp	
		Quick release coupling	
6		Bracket for oil pump assembled	



##	Part Number	Part Description	Model
1		Tray for popcorn waste assembled	
2		Perforated shelf	
3		Telescopic Rails for perforated shelf	
4		Heater assembled	
5		<i>Salt dispenser assembled</i>	
		Fan	MB630-D
		Stepping motor	FL57STH
		<i>Salt dispenser pipe</i>	
		<i>Salt dispenser lid</i>	
6		Sifter assembled	
		Scraper for sifter cleaning	



##	Part Number	Part Description	Model
		<i>Motor and impeller assembled</i>	
1		AC Motor	AIP71A2
2		Cooling impeller for motor	
3		Turbine	
4		Steel flange	
		Heat-resistant gear	Molykote HSC Plus



##	Part Number	Part Description	Model
		<i>Lower heater assembled</i>	
1		M type heater	1GIK1Z159001
2		Thermostat	TK24-00-1-90
		Cable kit for heater	